



# T155 AUTO/MANUAL CHANGEOVER THERMOSTAT

SMART ENERGY MANAGEMENT



## HIGHLIGHTS

- Solid State Precision and Dependability
- Up to Three Speed Fan Switching Available
- Accepts 24 to 277 VAC
- Operates at 50 or 60 Hz
- Auto Changeover (TB155)
- Manual Changeover (TA155)

## Delivering Comfort and Efficiency

The T155 thermostat is designed for use with HVAC systems including two or four-pipe fan coil applications. Available in both Auto Changeover and Manual Changeover models, the T155 is ideal for installations requiring either automatic internal switching between heating and cooling or manual switching between heating and cooling. Solid state accuracy offers comfort and efficiency, while contemporary styling complements room décor.

## Universal Voltage Capability

Only PECO offers advanced self-configuring circuitry that allows the T155 electronic thermostat to be applied directly to input voltages from 24 to 277 VAC, 50 or 60Hz. Thermostat outputs are suitable for connection to relays, valves and similar pilot duty loads. The system and fan switches will handle inductive and resistive loads.

## Configurable for Specific Applications

The standard T155 is user configurable for either unit or remote thermistor sensing. Fan operation is continuous or can be cycled with the use of a load handling relay.

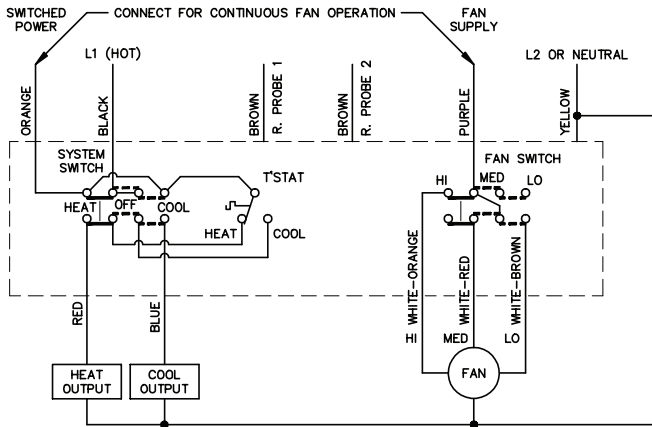
# T155 AUTO/MANUAL CHANGEOVER THERMOSTAT

## TECHNICAL SPECIFICATIONS

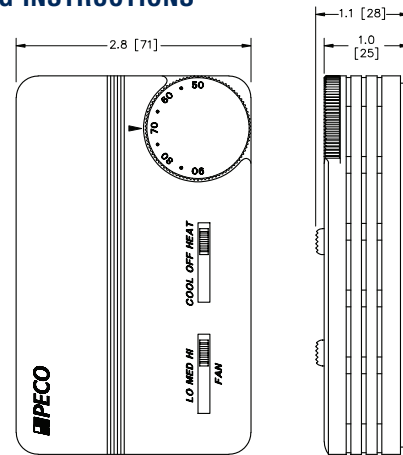
Self-configuring Circuitry	24 to 277 VAC, 50 or 60 Hz
Temperature Range	50 to 90°F / 10 to 32°C
Maximum Ambient	130°F / 54°C
Load Connections	Terminal block or wire lead, depending on model
Mounting	Installs on a standard 2" x 4" (50.8mm x 101.6mm) device box
Fan Operation	Continuous, cycled operation achievable with relays
Agency Approvals	UL, UL Canada, CE



## WIRING DIAGRAM



## MOUNTING INSTRUCTIONS

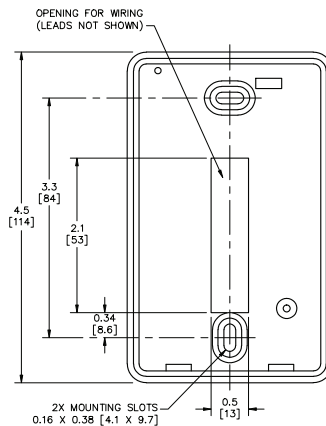


## RATINGS

VOLTAGE RATING	FAN AND SYSTEM SWITCHES				THERMOSTATIC SWITCHING (PILOT DUTY)
	INDUCTIVE FLA	RESISTIVE LRA	RESISTIVE AMPS	PILOT DUTY	
24 VAC	N.A.	N.A.	N.A.	24 VA	10 VA
120 VAC	5.8	34.8	6.0	125 VA	20 VA
240 VAC	2.9	17.4	5.0	125 VA	20 VA
277 VAC	2.4	14.4	4.2	125 VA	20 VA

## MODEL SELECTION GUIDE

TA155-046	Cool-Heat-Off, 3 Fan Speeds, Wire Leads, 2 Covers
TA155-047	Cool-Heat-Off, 3 Fan Speeds, Terminal Block, 2 Covers
TB155-046	On-Off, 3 Fan Speeds, Wire Leads, 2 Covers
TB155-048	On-Off, 3 Fan Speeds, Terminal Block, 2 Covers



PECO Control Systems  
An Astronics Company.  
Clackamas, Oregon - USA

Phone: 503-387-6410  
Email: controls@astronics.com  
www.pecocontrolsystem.com